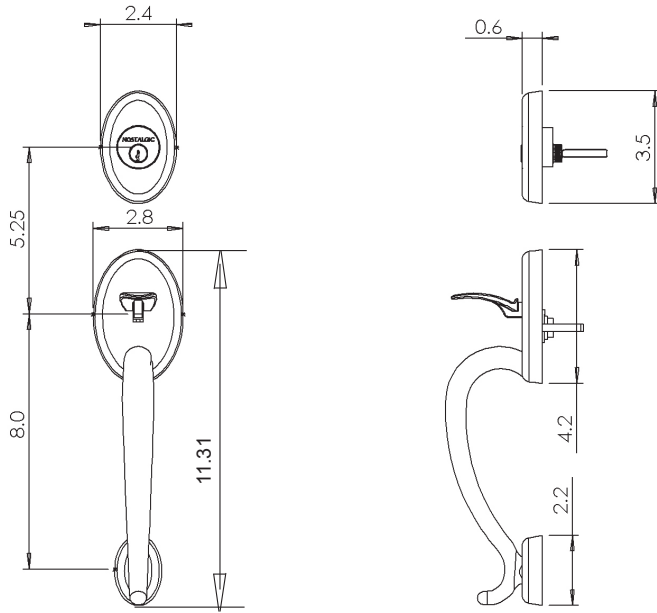


TECHNICAL SPECIFICATIONS

Oxford Park Handleset – S Grip



- > Collection: Nostalgic
- > Design code: OXPSGR
- > Material: Solid Forged Brass
- > Functions: Single Cylinder

Minimum bore distance is recommended at 5"



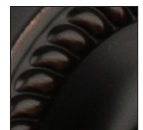
Available Finishes



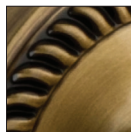
Antique Pewter (AP)



Satin Nickel (SN)



Timeless Bronze (TB)



Vintage Brass (AB)



Lifetime Brass (LB)

Oxford Park Handleset shown in Vintage Brass