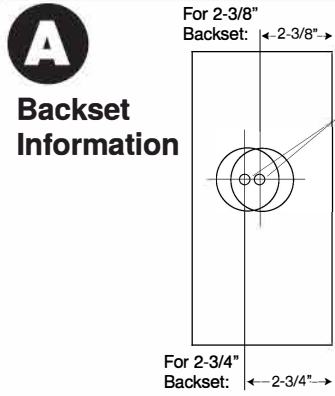


Long Plate Door Hardware Installation Instructions

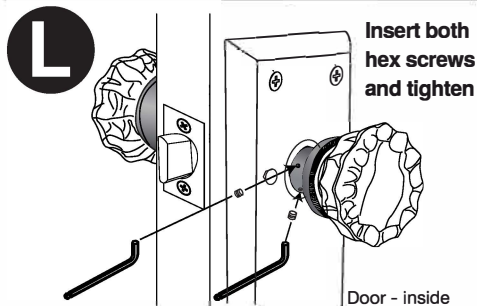
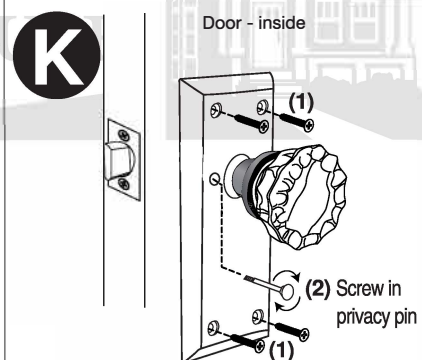
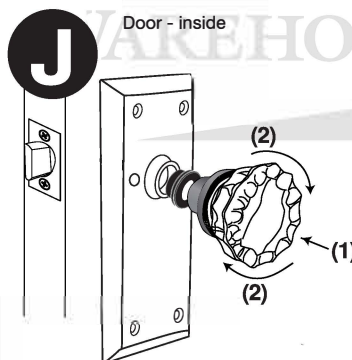
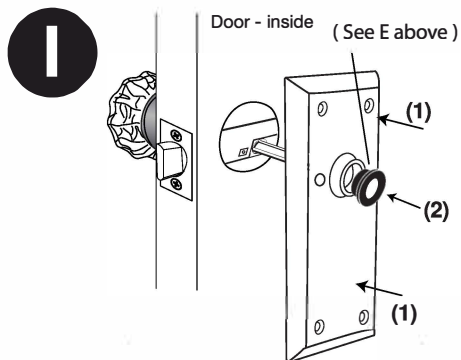
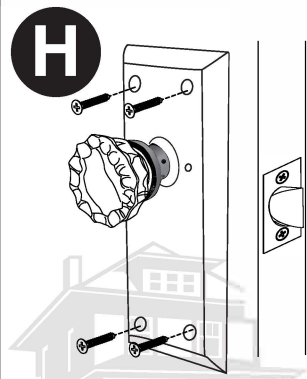
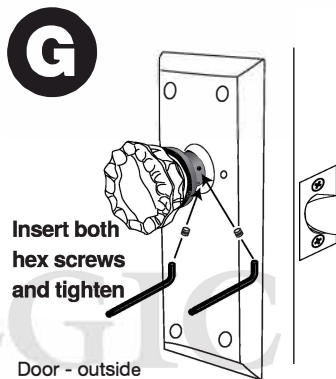
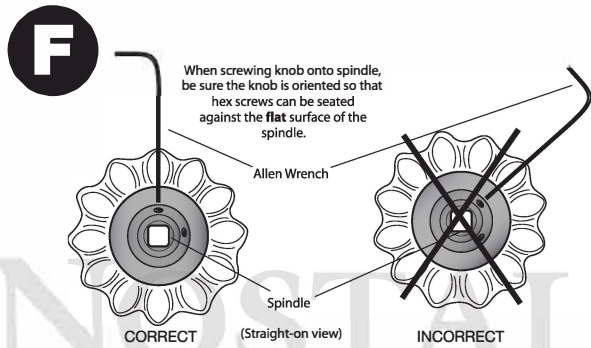
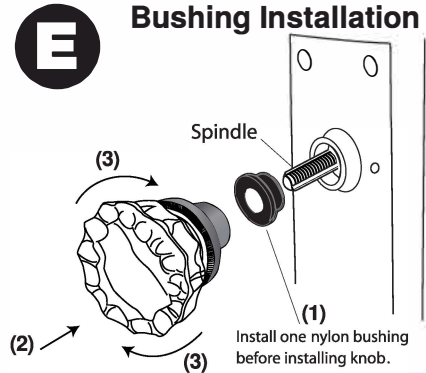
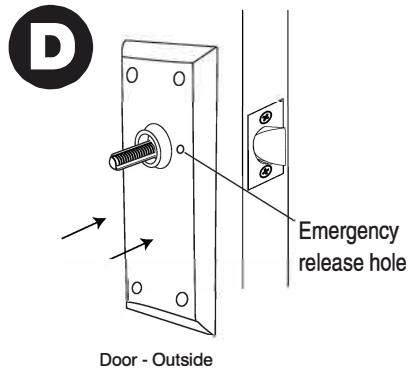
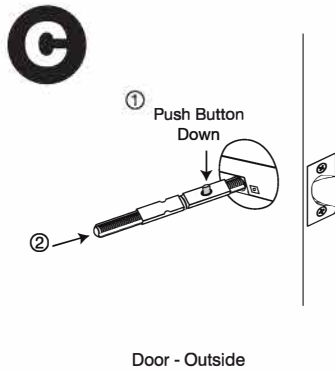
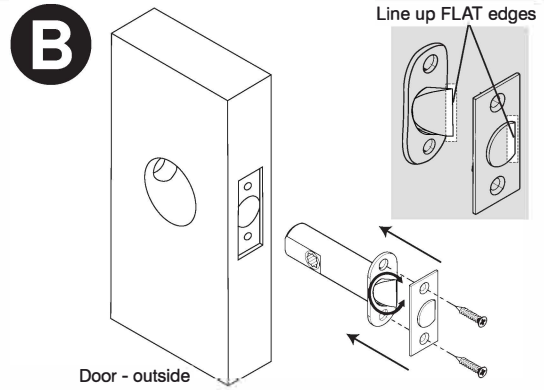
Updated June 2016

Privacy

Fits doors 1-3/8" to 1-3/4" thick



NOTE:
DRILLING
TEMPLATES ON
SEPARATE
INCLUDED
SHEET



NOTE:
If knobs do not turn freely;
loosen one knob and rotate
counter clockwise for
1/4 turn, then retighten
the hex screws.
Repeat if necessary.

Need help? Please call us at
1-800-522-7336
Monday—Friday
7 am—5pm Mountain Time