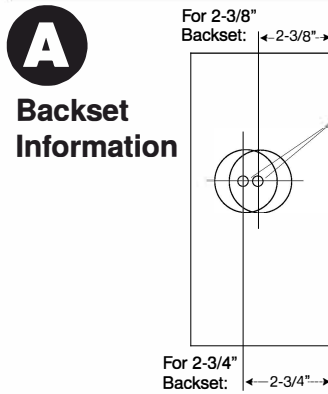


Long Plate Door Hardware Installation Instructions

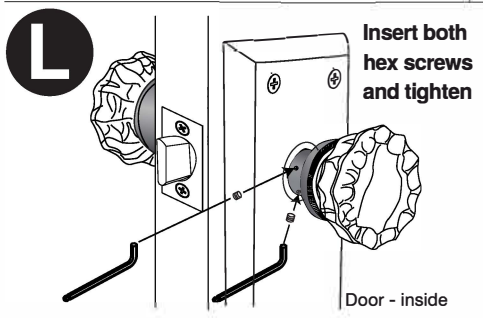
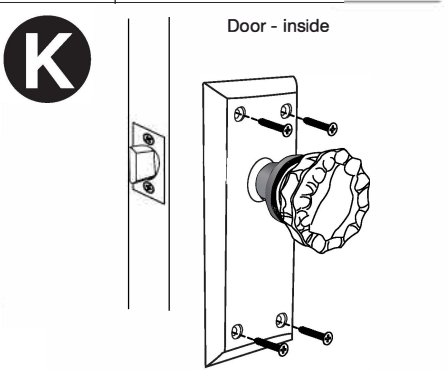
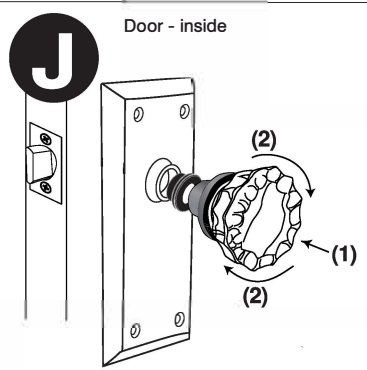
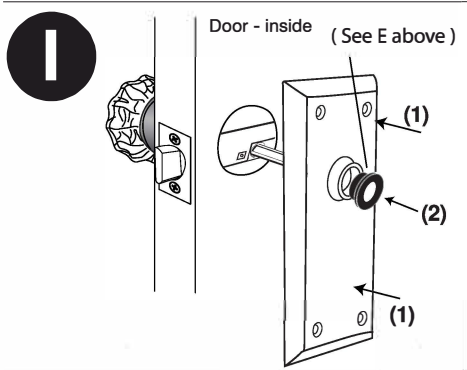
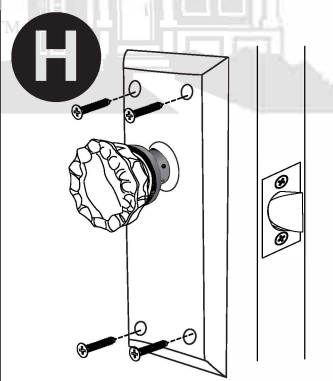
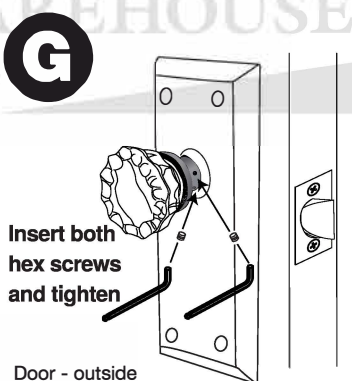
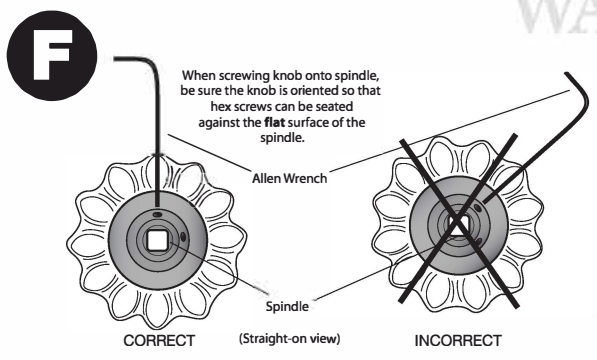
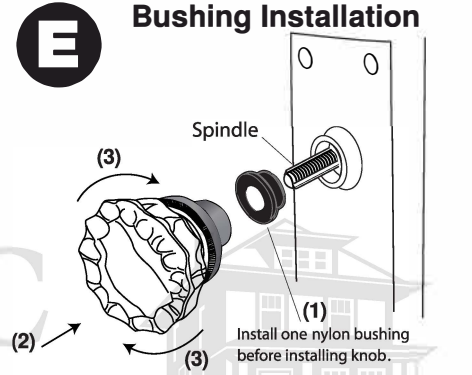
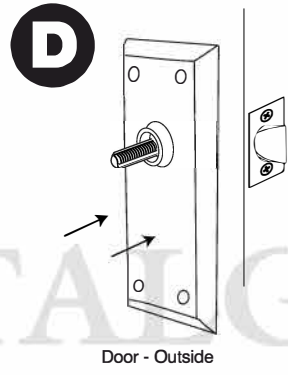
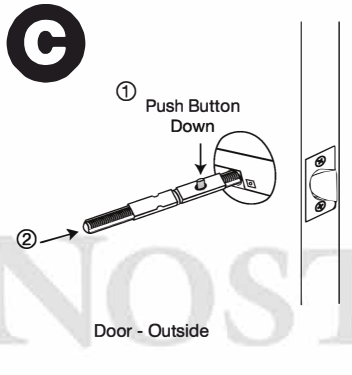
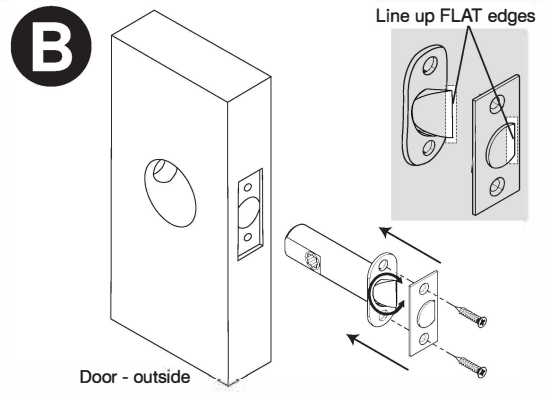
Updated June 2016

Passage

Fits doors 1-3/8" to 1-3/4" thick



NOTE:
DRILLING
TEMPLATES ON
SEPARATE
INCLUDED
SHEET



NOTE:
If knobs do not turn freely; loosen one knob and rotate counter clockwise for 1/4 turn, then retighten the hex screws. Repeat if necessary.

Visit our Support page at
www.NostalgicWarehouse.com/support