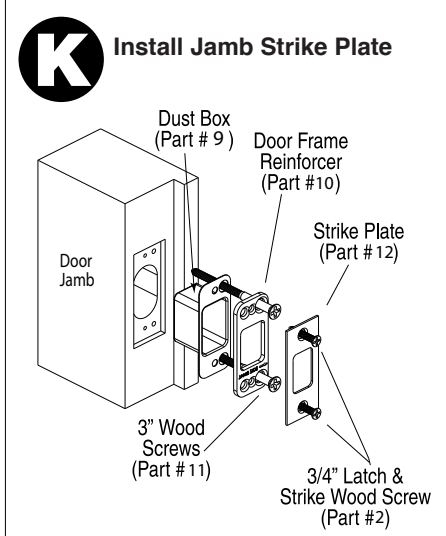
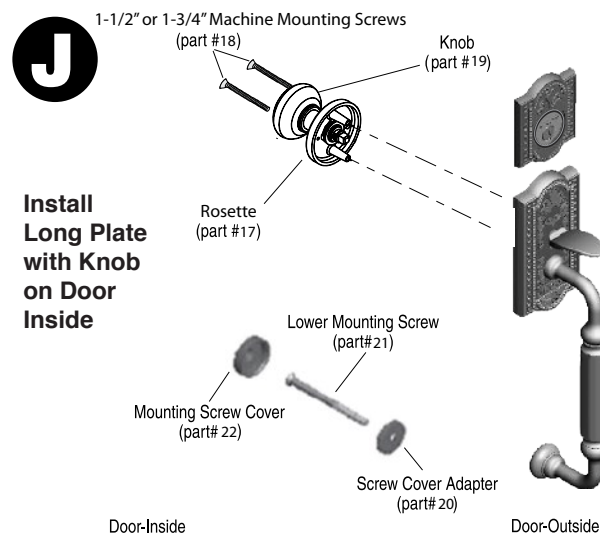
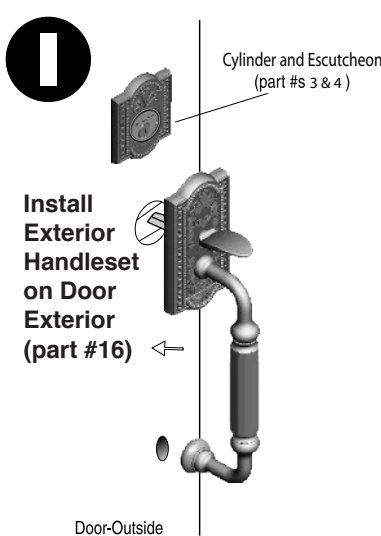
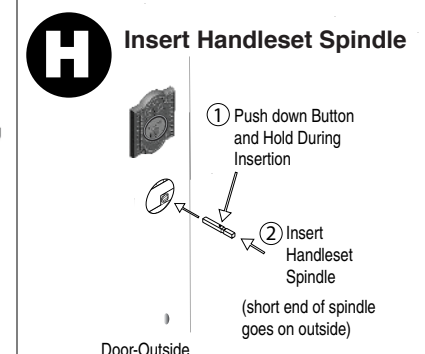
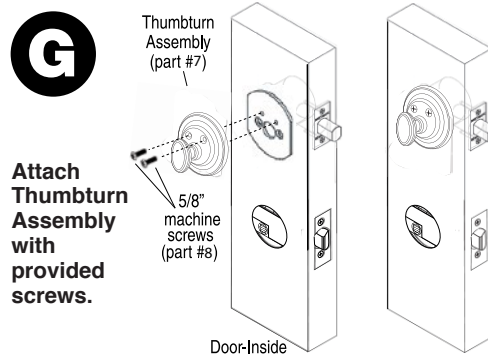
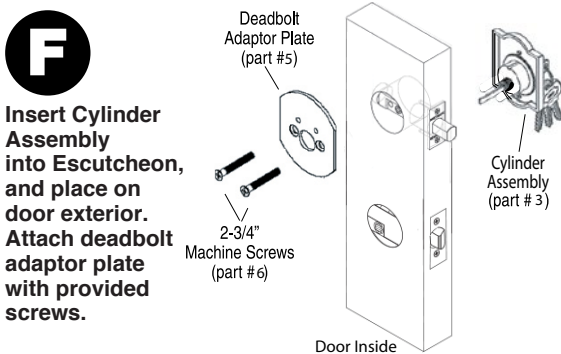
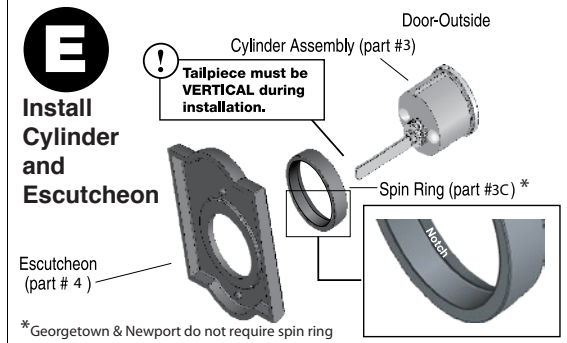
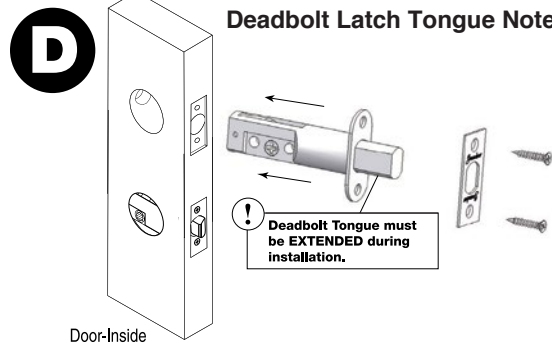
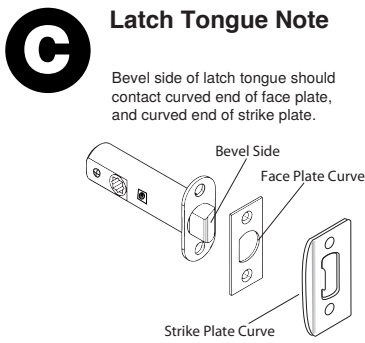
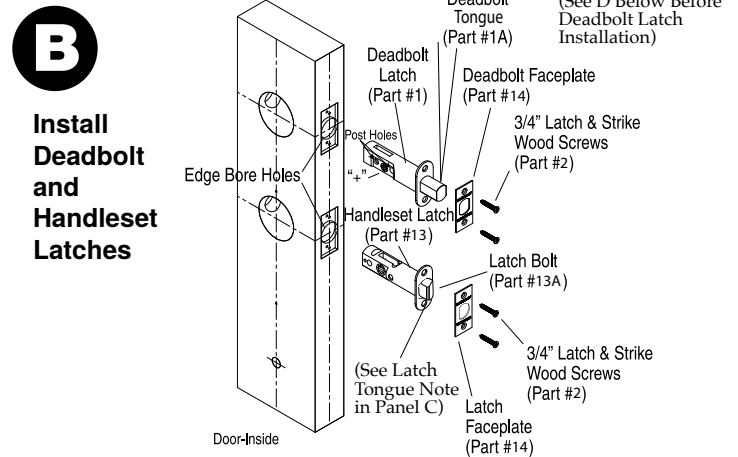
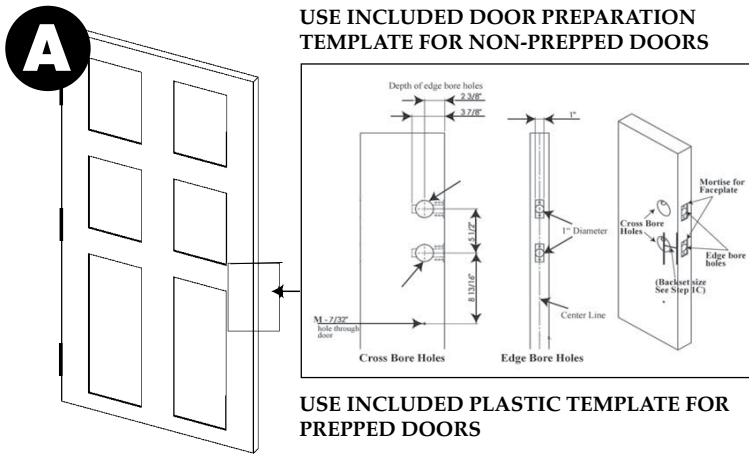


Nostalgic Warehouse Door Hardware Installation Instructions

ROSETTE PRE-ATTACHED KNOBS

Single Cylinder Handleset

Note: Handlesets fit doors 1-3/4" to 2-1/4" thick.



Exploded Drawing Single Cylinder Handleset Rosette With Pre-Attached Knob

**Part
Number** **Part
Description**

1. Deadbolt Latch
- 1A. Latch Tongue
2. 3/4" Faceplate & Strike Wood Screws (8)
3. Cylinder Assembly (W/Keys)
 - 3A. Cylinder Body
 - 3B. Tailpiece
 - 3C. Spin Ring
(Georgetown & Newport
do not require spin ring)
4. Escutcheon
5. Deadbolt Adapter Plate
6. 2-3/4" Machine Screws (2)
7. Thumbturn Assembly
8. 5/8" Thumbturn Machine Screws (2)
9. Dustbox for Deadbolt
10. Door Frame Reinforcer
11. 3" Reinforcer Wood Screws (2)
12. Strike Plate for Deadbolt
13. Handleset Latch
 - 13A. Latch Tongue
14. Latch Faceplate
15. Handleset Spindle
16. Handleset
17. Rosette
18. 1-1/2" or 1-3/4" Machine Mounting Screws
19. Knob
20. Screw Cover Adapter
21. 2-7/8" Lower Mounting Screw
22. Mounting Screw Cover
23. Dustbox for Handleset
24. Strike Plate for Handleset

