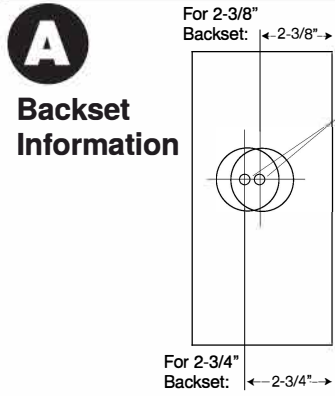


# Long Plate Door Hardware Installation Instructions

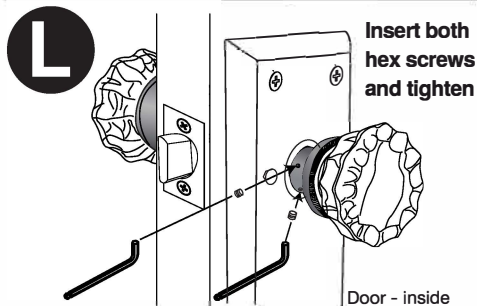
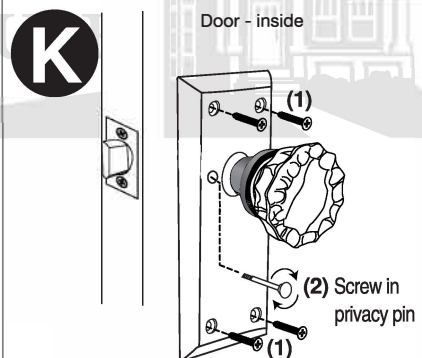
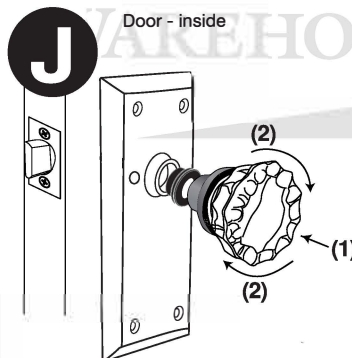
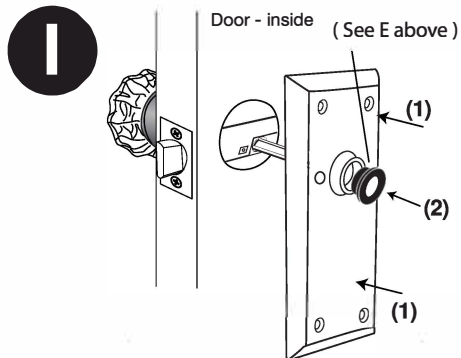
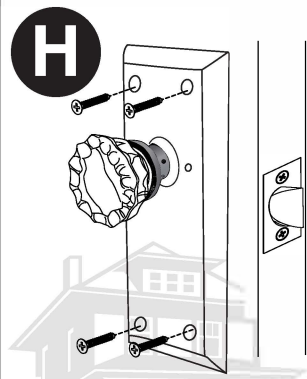
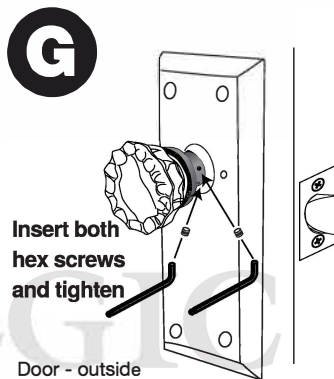
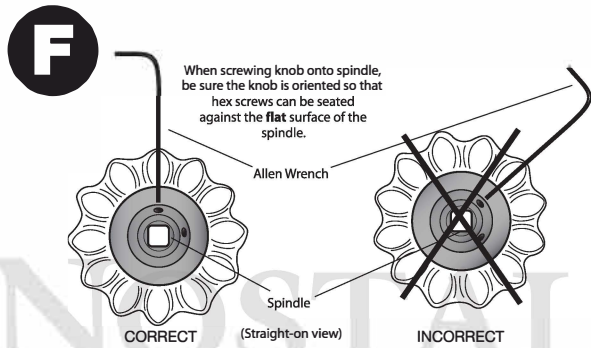
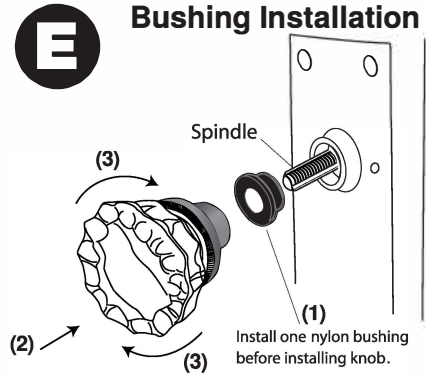
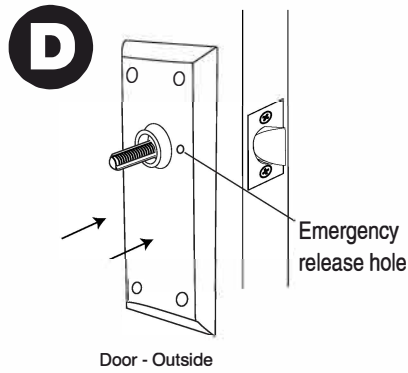
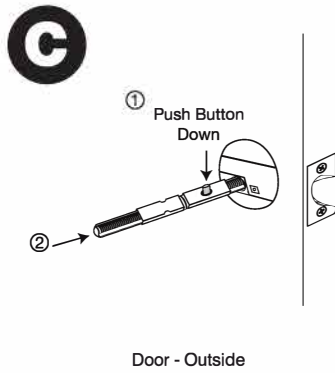
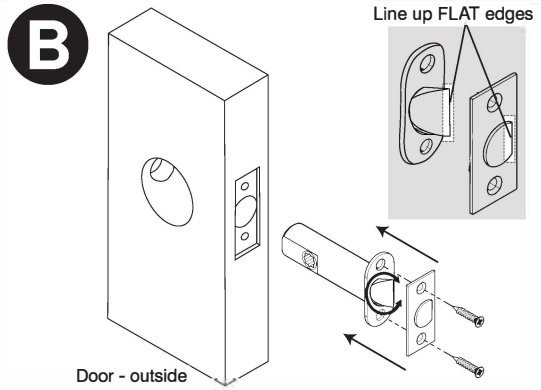
Updated June 2016

**Privacy**

Fits doors 1-3/8" to 1-3/4" thick



**NOTE:**  
DRILLING  
TEMPLATES ON  
SEPARATE  
INCLUDED  
SHEET



**NOTE:**  
If knobs do not turn freely;  
loosen one knob and rotate  
counter clockwise for  
1/4 turn, then retighten  
the hex screws.  
Repeat if necessary.

Need help? Please call us at  
**1-800-522-7336**  
Monday—Friday  
7 am—5pm Mountain Time