



Installation Instructions For Pre-Attached Long Plates

Passage and Privacy

With step-by-step Installation Pictograms & Drilling Template

Applies to:

Craftsman • Mission • Prairie • Deco • New York • Egg & Dart
Meadows • Victorian

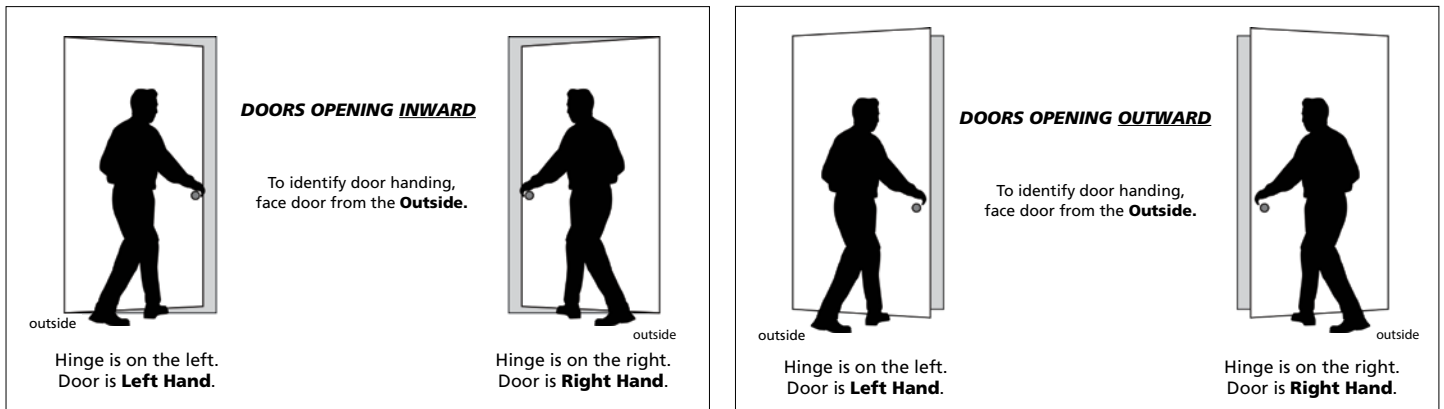
Tools Required: #2 Phillips Screwdriver, electric drill, 7/64" drill bit

Door Handing - Long Plates

Door handing is critical for Split-Finish, or Split-Design products in the privacy function. And, it's helpful positioning the latch tongue in relation to the strike plate.

Inside of Door - The **Inside** of a door refers to the side of the door that faces the room. For example, for a bedroom door on a hallway, the **Inside** of the door would face the bedroom.

Outside of Door - The **Outside** of a door refers to the side of the door that faces away from the room. The **Outside** of a door is generally more visible to visitors, and therefore a rosette on this side of the door has no visible screws. For example, on a bedroom door, the **Outside** would face the hallway.



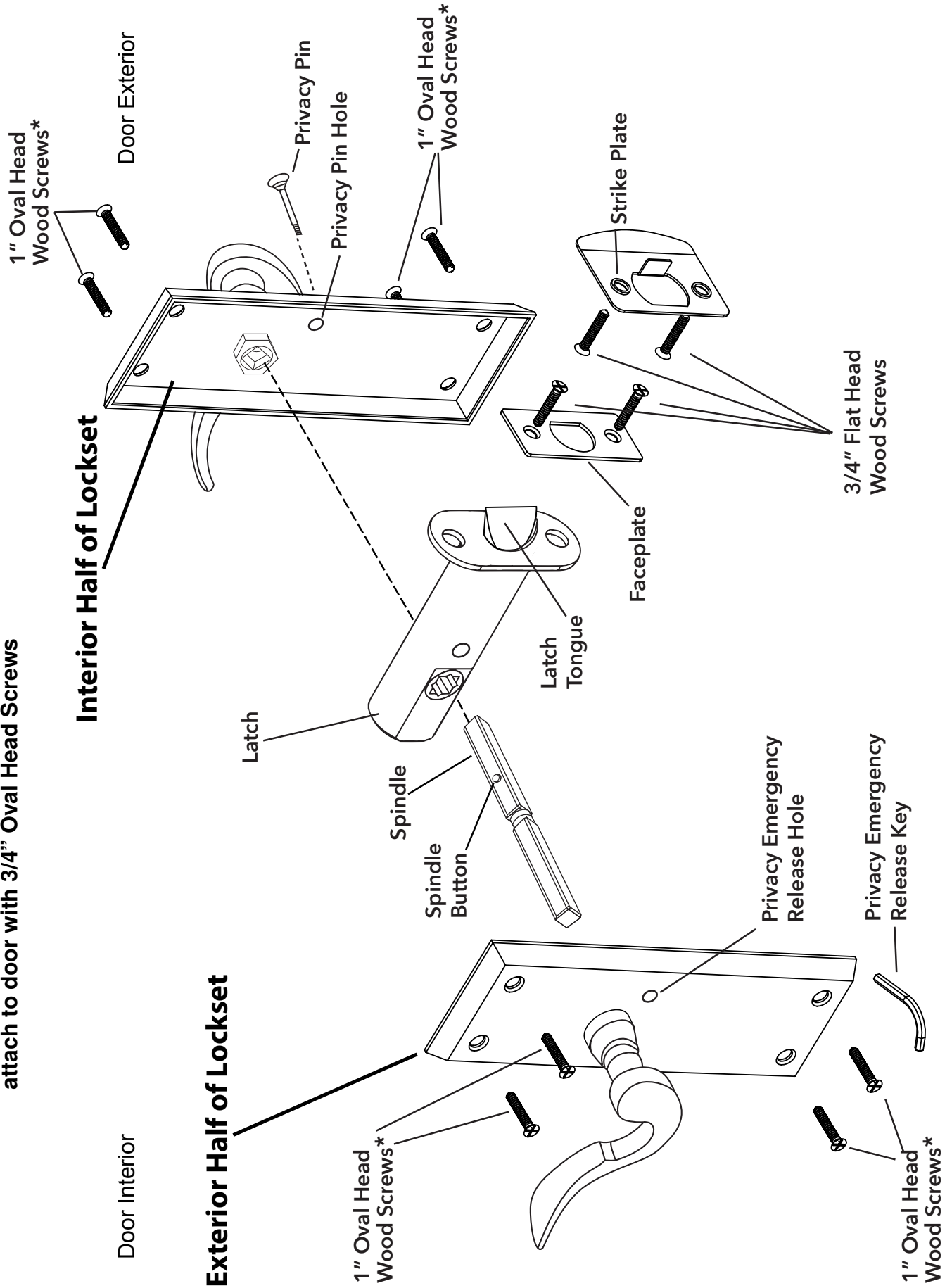
INSTALLATION RULES:

- 1) Long Plate wood mounting screws should **NOT** be installed using power tools.
- 2) Privacy pin holes are next to the door side containing the latch.
- 3) Latch tongues have a beveled side, and this side should contact the curved end of the face plate, and curved end of the strike plate.
(See ***Latch Tongue Note** on page 3.)



Exploded Drawing for Pre-Attached Long Plate Passage/Privacy - Lever

* Note: Craftsman and Mission Plates attach to door with 3/4" Oval Head Screws



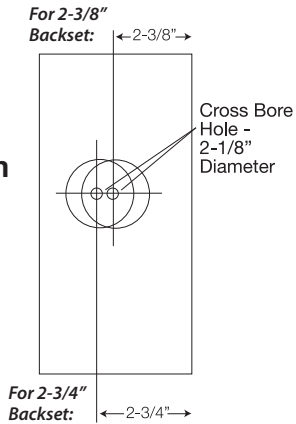
Installation Instructions For Pre-Attached Long Plates

**Fits doors
1-3/8" to 2" thick**

Passage/Privacy - Lever

A

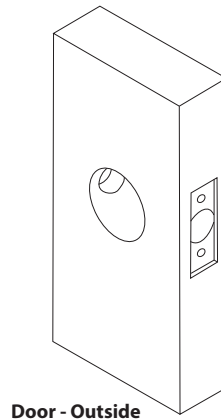
Backset Information



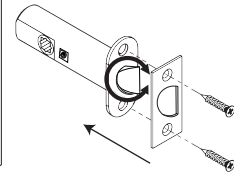
NOTE:
DRILLING
TEMPLATES
FOR
PILOT HOLES
ON SEPARATE
INCLUDED
SHEET

B

Install Latch



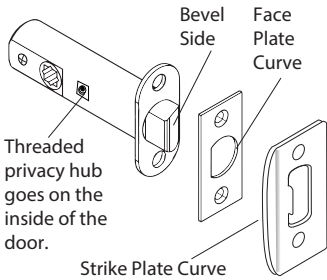
- 1 Install latch and rotate the latch tongue * to change handing. (See page 1 for handing)
- 2 Install faceplate with 3/4" wood screws.



* See Latch Tongue Note in next panel

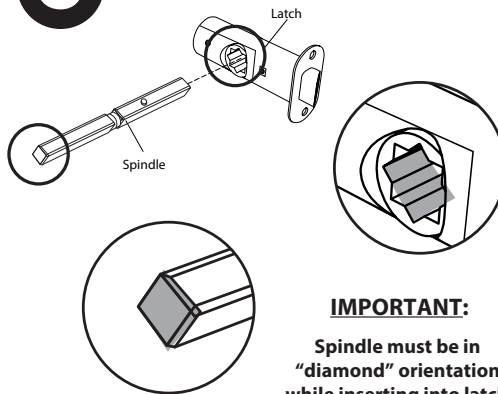
* Latch Tongue Note

Bevel side of latch tongue should contact curved side of face plate, and curved side of strike plate.



C

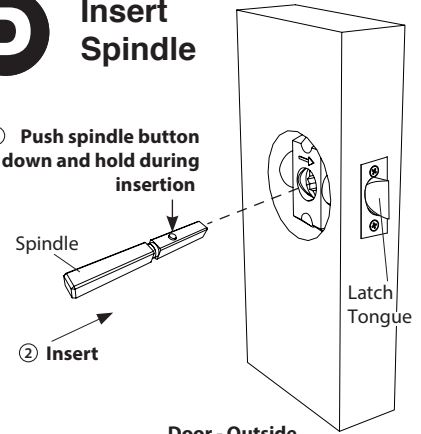
Spindle Orientation



D

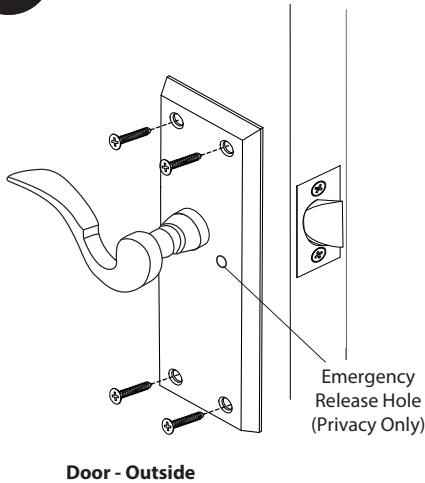
Insert Spindle

- 1 Push spindle button down and hold during insertion
- 2 Insert



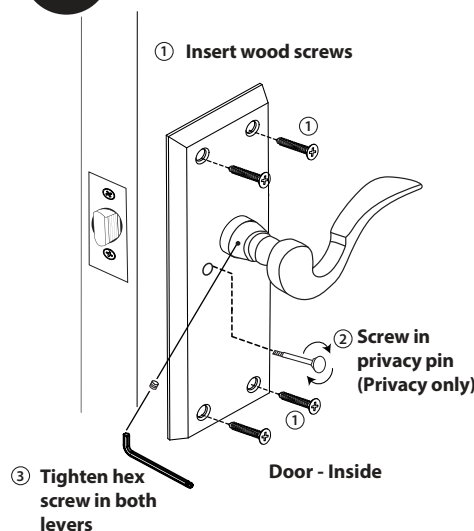
E

Insert Exterior Half of Lockset



F

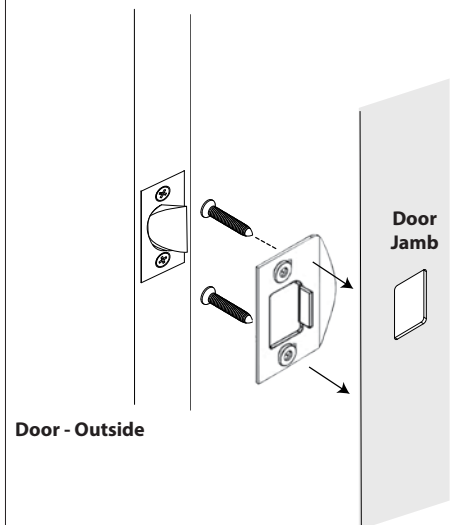
Install Interior Half of Lockset



G

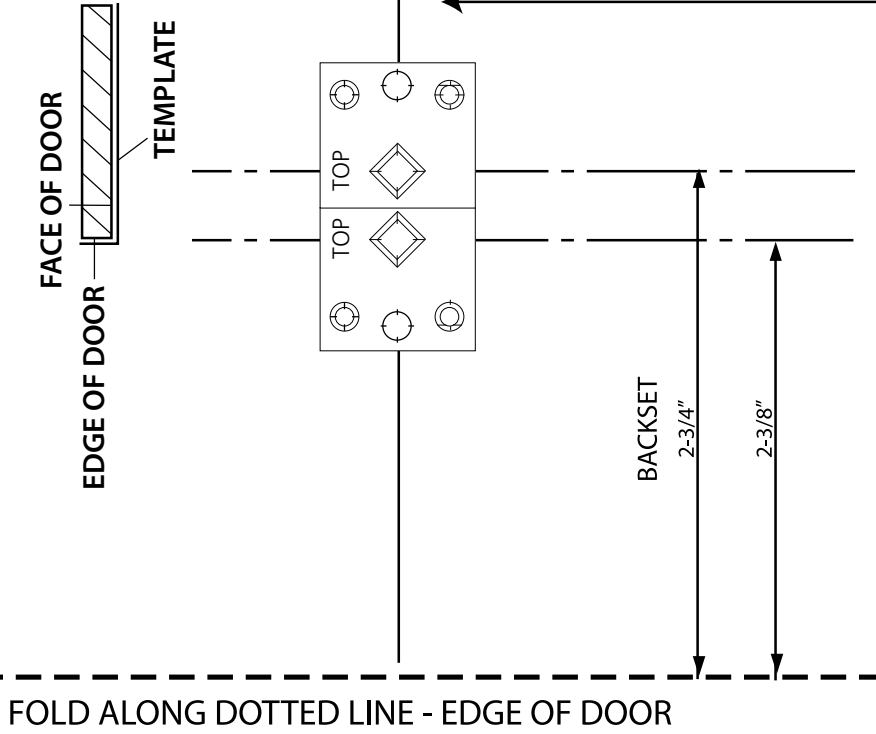
Attach Strike Plate

Attach the strike plate to the door jamb using 3/4" long wood screws.



DUMMY INSTALLATION AND DOOR PREPARATION TEMPLATE - LEVER

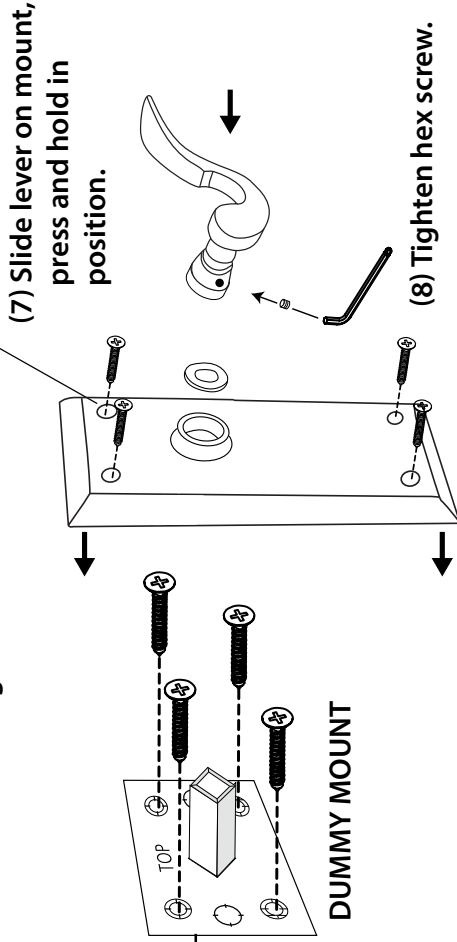
(2) Fold template along dotted line, and position fold on the edge of the door. Tape template to face of door.



(3) Before drilling verify the backset of your existing doors. Mark the four screw hole positions on your dummy mount on the template. Drill pilot holes using a 7/64\" diameter bit.

(6) Mark the screw hole positions on your long plate on the door. Drill pilot holes using a 7/64\" diameter bit. Install wood screws in the long plate.

(5) Position long plate over mount, align side of long plate with door edge.



(4) Remove template from door. Install four wood screws in dummy mount.

(1) Measure from the floor to the center of existing locks, and use this distance as the height of the dummy mount. If there are no existing locks, position the dummy mount 36\" to 38\" from the floor.

FLOOR