

Installation Instructions
For Pre-Attached Rosettes & Short Plates
Passage, Privacy and Dummy
With step-by-step Installation Pictograms & Drilling Template

- Applies to:
- Classic and Rope Rosettes with levers
 - Cottage and Studio Short Plates with levers

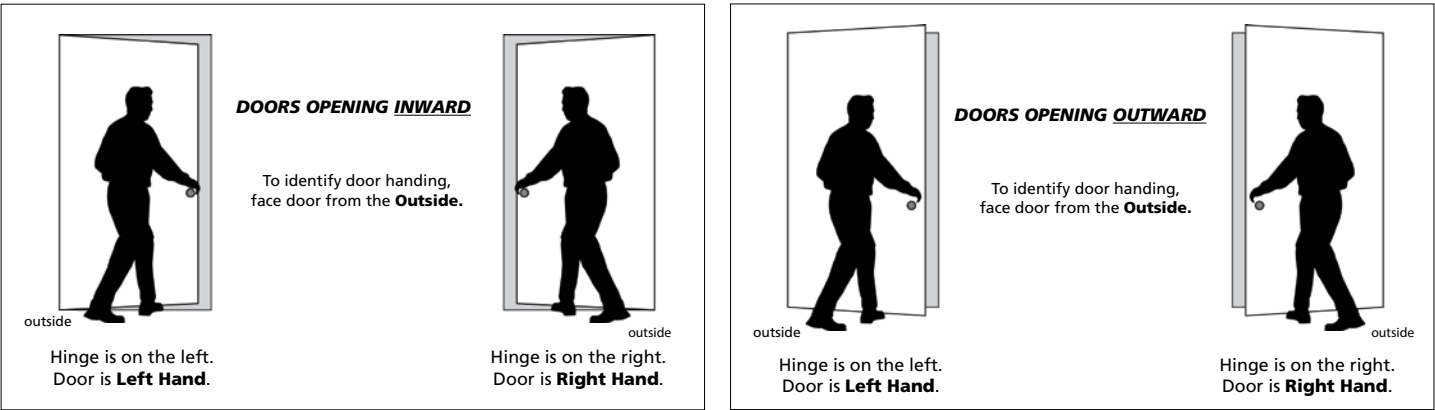
Tools Required: # 2 Phillips Screwdriver (Not power tools)

Door Handing - Rosettes and Short Plates

Door handing is critical for Split-Finish, or Split-Design products. It's also used to determine where the Interior and Exterior halves of the lockset are located on the door. And, it's used to position the latch tongue in relation to the strike plate.

Inside of Door - The **Inside** of a door refers to the side of the door that faces the room. For example, for a bedroom door on a hallway, the **Inside** of the door would face the bedroom.

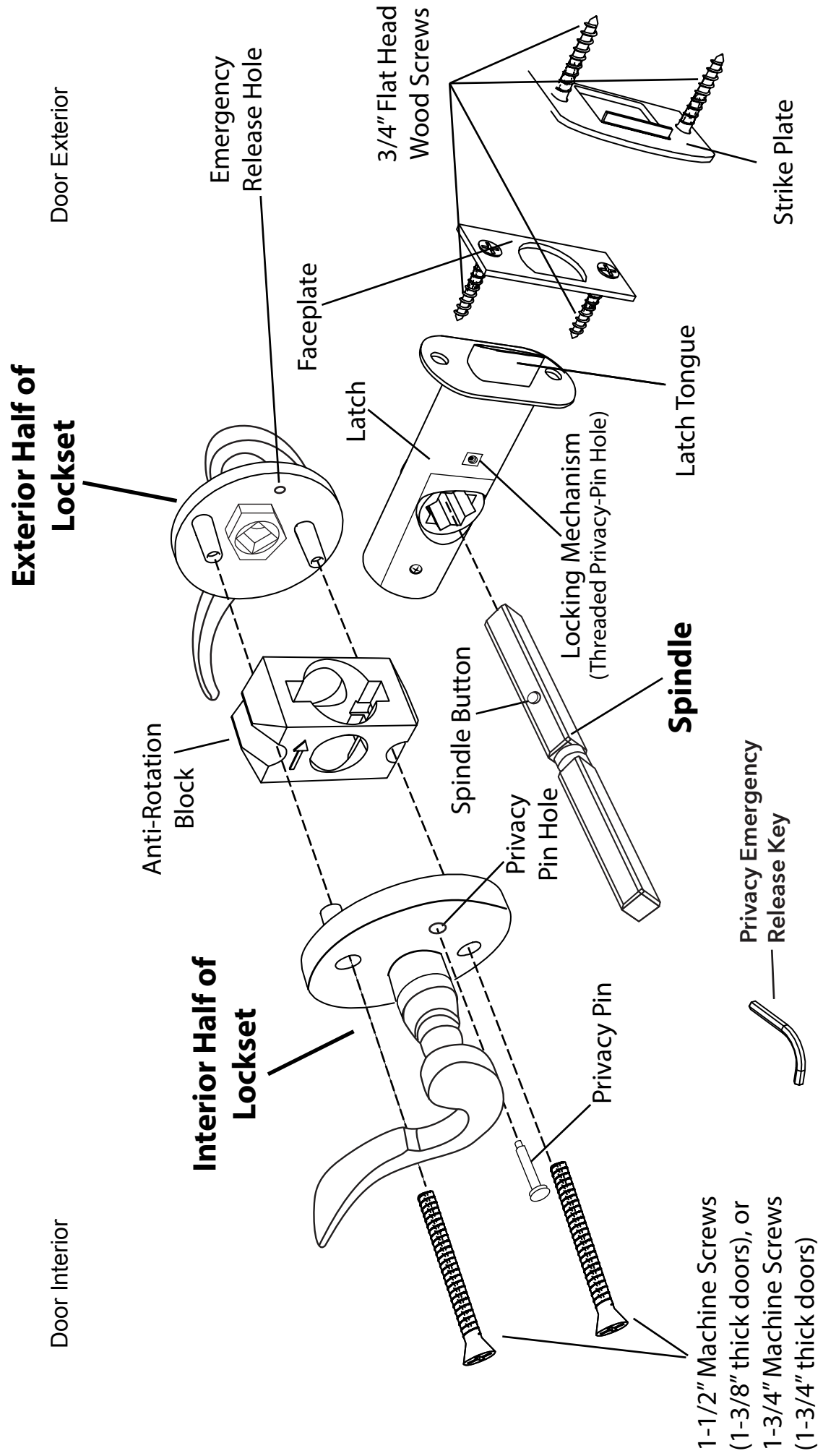
Outside of Door - The **Outside** of a door refers to the side of the door that faces away from the room. The **Outside** of a door is generally more visible to visitors, and therefore a rosette on this side of the door has no visible screws. For example, on a bedroom door, the **Outside** would face the hallway.



INSTALLATION RULES:

- 1) Lockset machine mounting screws are inserted from the inside.
- 2) Privacy pin holes are next to the door side containing the latch.
- 3) Latch tongues have a beveled side, and this side should contact the curved end of the face plate, and curved end of the strike plate.
(See ***Latch Tongue Note** on page 3.)

Exploded Drawing for Pre-Attached Rosette/Short Plates Passage/Privacy - Lever



Installation Instructions For Pre-Attached Rosettes and Short Plates

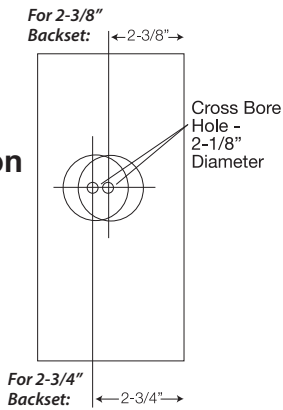
**Fits doors
1-3/8" to 1-3/4" thick**

Passage/Privacy Lever

Tools Required: #2 Phillips Screwdriver (Not power tools)

A

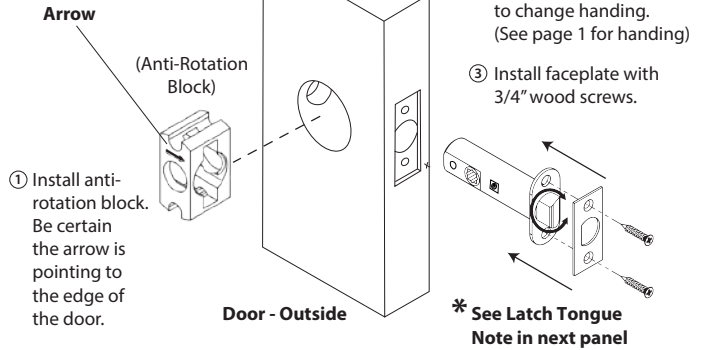
Backset Information



NOTE:
DRILLING
TEMPLATES
ON
SEPARATE
INCLUDED
SHEET

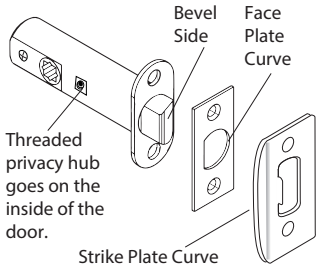
B

Install Latch



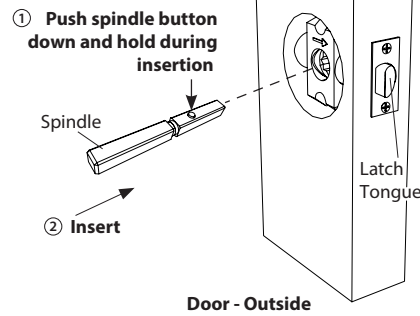
* Latch Tongue Note

Bevel side of latch tongue should contact curved end of face plate, and curved end of strike plate.



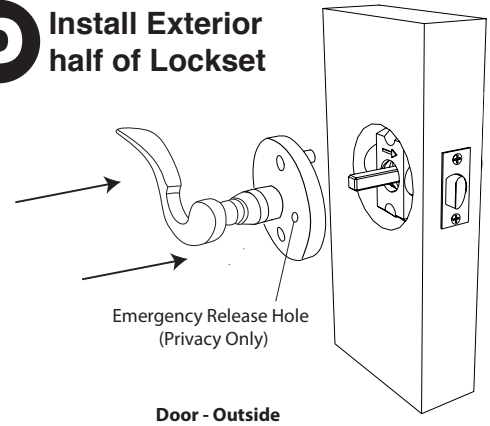
C

Insert Spindle



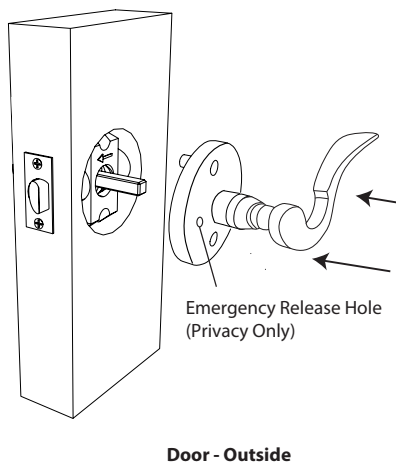
D

Install Exterior half of Lockset



E

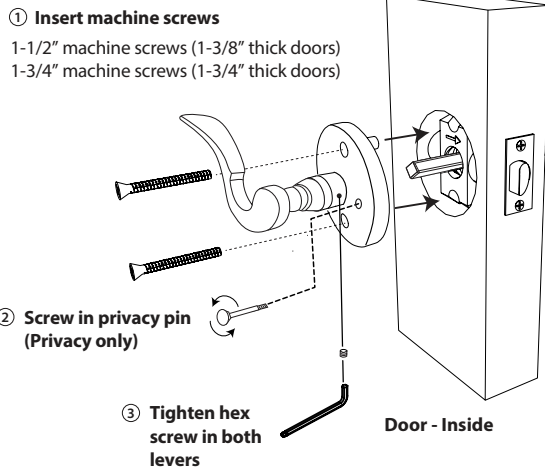
Install Exterior Half of Lockset



F

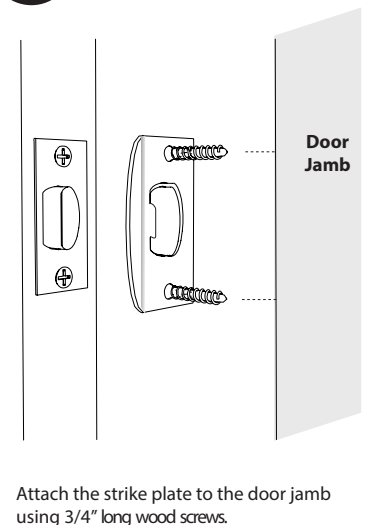
Install Interior Half of Lockset

NO POWER TOOLS!!!

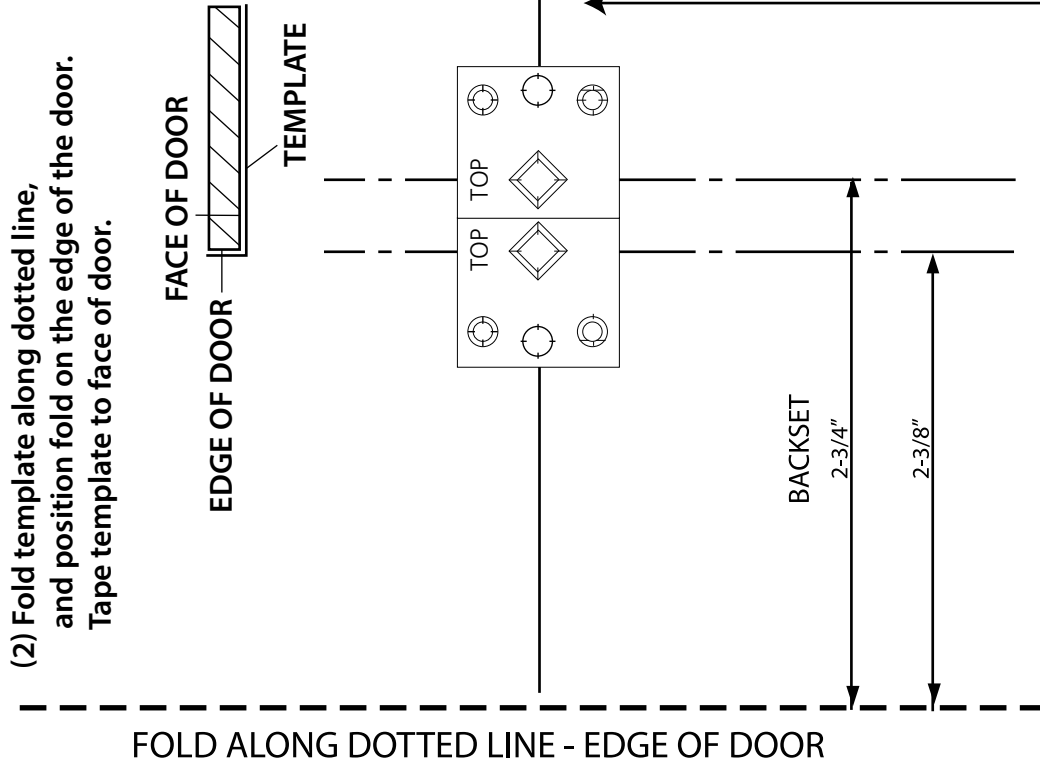


G

Install Strike Plate



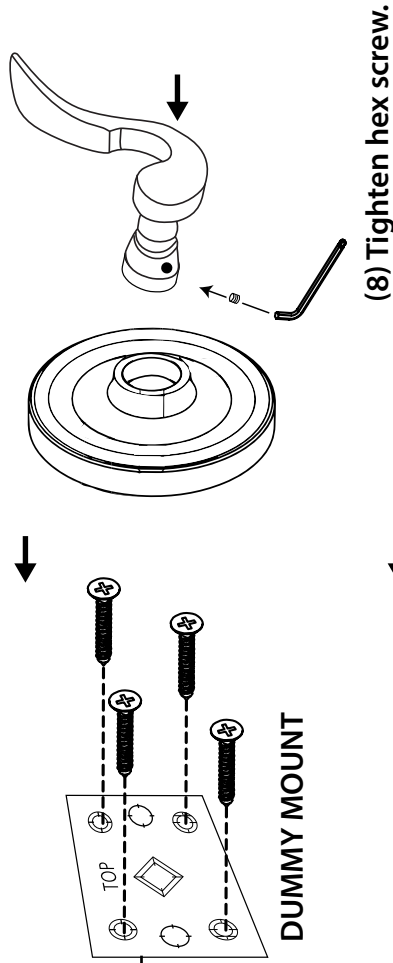
DUMMY INSTALLATION AND DOOR PREPARATION TEMPLATE - LEVER



(2) Fold template along dotted line, and position fold on the edge of the door. Tape template to face of door.

(3) Before drilling verify the backset of your existing doors. Drill pilot holes using a 7/64" diameter bit.

(4) Insert four wood screws, slide rosette over mount, slide knob on mount, press and hold in position.



(8) Tighten hex screw.

(1) Measure from the floor to the center of existing locks, and use this distance as the Height of the dummy mount. If there are no existing locks, position the dummy mount 36" to 38" from the floor.